

E5-WP-H • Wallplate Encoder w/HDMI Only

Powerful AV Encoding in a convenient, Wallplate form-factor

Overview

Introducing the next-generation E5-WP-H 4K60 4:4:4 AV over IP wallplate encoder from Visionary Solutions, a pioneer in networked AV solutions. Based on the revolutionary PacketAV® Duet Wallplate Encoder, the E5-WP-H now comes in a simplified HDMI only version, designed for streamlined installations and optimized for 4K60 4:4:4 video transmission.

The E5-WP-H offers a streamlined HDMI only input, making installations easier and more efficient, while retaining the high-quality performance of its predecessor.

Delivering cinema-quality 4K60 4:4:4 video with ultra-low latency (~1 frame - visually lossless), the E5-WP-H ensures exceptional video performance in a variety of professional AV applications.

The E5-WP-H is powered over Ethernet (PoE), reducing cable clutter and simplifying installation, while maintaining reliable power delivery.

Visionary's PacketAV® AV over IP products, including the E5-WP-H, can be deployed on any industry-standard IP network, either on existing enterprise networks or physically separate parallel networks (private networks), ensuring seamless integration with your existing infrastructure.



Bypassing the limitations of traditional switch matrix distribution systems, the E5-WP-H harnesses the flexibility and scalability of converged IP networks, making it an ideal choice for professional AV designers and IT directors seeking future-proof solutions.

The E5-WP-H wallplate encoder can be easily installed in any standard wall box, offering a discreet and professional appearance while providing powerful AV over IP capabilities.

Embrace the future of networked AV with the E5-WP-H 4K60 4:4:4 AV over IP wallplate encoder from Visionary Solutions. Designed for simplified installations without compromising on performance, the E5-WP-H offers unparalleled video quality, flexibility, and scalability for your AV distribution needs.

Features

4K60 4:4:4 Video Support

- Experience ultra-high-definition video with 4K resolution at 60 frames per second and full 4:4:4 color sampling for unparalleled image quality, suitable for professional applications where every detail matters.

Full Motion MJPEG Substream

- Maximize bandwidth efficiency and enhance video quality with a full motion MJPEG substream, delivering smooth, high-quality video feeds for preview or monitoring purposes without impacting the primary 4K60 4:4:4 video stream.

One Gigabit LAN Port for 4K60 4:4:4 Video and Control

- A single Ethernet port for AV over IP and POE Power Input

LLDP Support

- Link Layer Discovery Protocol (LLDP) is a protocol used by network devices for advertising their identity, capabilities, and neighbors on a local area network based on IEEE 802 technology
- Allows for dynamic control of endpoints based on automatic discovery of physical location

E5-WP-H • Wallplate Encoder w/HDMI Only

Features cont.

Dynamically Optimized (Adaptive) bit-rate compression CODEC w/ built-in AI

- Visionary's highly efficient video compression codec is a modified full frame encoding that dynamically optimizes for fine lines (computer generated graphics) or motion video by using sophisticated AI to analyze the input source content. Actively matching the level of compression to a scene by leveraging periods of low motion video content reduces the stream's size and enhances performance - enabling, without compromising image quality, Visually Lossless transmission of computer generated graphics or full-motion video sources.
- Adjustable Video Bitrate: (50 – 200 Mbps or Auto [800Mbps max])

QoS Support

- Quality of Service (QoS) is an advanced feature that prioritizes network traffic resulting in performance improvement for critical network traffic

Control

- Vision Lite Control Software
- 3rd Party Control Drivers [Crestron, QSC, Symetrix, RTI, etc.]
- *API providing access to the full range of features on the encoders and decoders offered to qualified System Integrators

HDMI 2.0 and HDCP 2.2, 2.3, Compliant

Enterprise Level Security –AES Encryption, 802.1x, HTTPS, SSH

Enterprise applications demand a secure Network AV solution

- AES Stream Encryption - The Advanced Encryption Standard, or AES, is a worldwide standard and was adopted as the standard encryption algorithm by the U.S. government for encrypting classified information
- HTTPS Secure API - Using secure SSL/TLS communications HTTPS provides integrity that a client is communicating with the real API and receiving back authentic data. It also ensures privacy for applications and users using the API
- 802.1x Authentication for Network access control - 802.1X provides a secure authentication mechanism for any device trying to access a network
- SSH Network Protocol - SSH is a network protocol used to remotely access and manage a device through command line communications. The key difference between Telnet (used by other AV over IP manufacturers) and SSH is that SSH uses encryption, which means that all data transmitted over a network is secure

Seamless Fast Switching

- Tearing free, no black screen, no frame lock

Independent Routing

- Independently route all signals with the ability to separately matrix video & audio

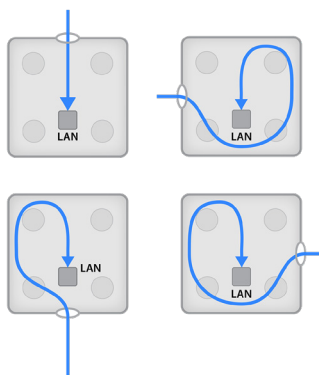
E5-WP-H • Wallplate Encoder w/HDMI Only

Benefits

- A single Gigabit LAN Port for PoE Power, 4K60 4:4:4 Video, and Control
- Secure Network Isolation - VLAN Tagging separates AV traffic on the corporate network
- Easy installation in a wall, floor, or lectern
- Mounts into standard Decora style wallplates
- Easy Control Integration
- Ultra-low Latency [~1 frame - visually lossless]
- Low bitrates
- No fiber or 10 Gigabit switch required
- Low-Cost network switches are used
- Scalable / Unlimited Distribution
- Any number and combination of inputs/outputs [in increments of one]
- Standard network cabling [CAT5e/6]
- Utilize existing network resources
- Rapid deployment
- Single network for AV and IT
- Reduced operating costs

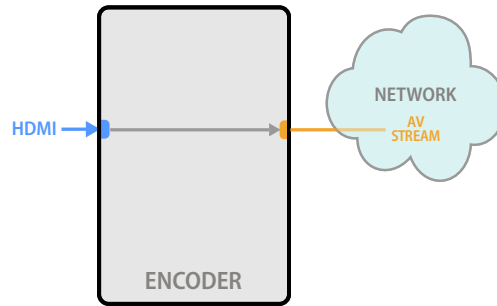
Fits conveniently into a 2-gang US or UK back box with no modification

- Low Heat / Power: Natural convection via vent openings on front, sides, and top
- 45 Degree Ethernet connector allows easy access from any side of electrical boxes while providing bend radius relief for category cable.



E5-WP-H • Wallplate Encoder w/HDMI Only

Audio Workflow



Specifications

Encoding	
Video Codec	JPEG2000 based visually lossless video compression algorithm
Audio Codec	LPCM up to 8 Channels
Bit Rates	50 to 800 Mbps
Latency	Ultra-low Latency (visually lossless video) 17ms @ 1080p60 & 4K60 33ms @ 4K30
Streaming Protocols	IP, UDP, TCP, ICMP, IGMP
Copy Protection	HDCP 2.2, 2.3, AES-256 Encryption
Video	
Maximum Resolutions	High Dynamic Range (HDR) 4K60 4:4:4 HDR 8 bit 4K30 4:4:4 HDR 12 bit 1080p60 4:4:4 HDR 12 bit 1080p30 4:4:4 HDR 12 bit Supports HDR10, HDR10+, HLG, Dolby Vision
Input Signal Types (Encoder)	1x HDMI capable of receiving source input video formats up to 4K60 4:4:4
Audio	
Input Signal Types	HDMI Audio • 1 digital input de-embedded from HDMI
Output Signal Types	HDMI Digital Audio (NLPCM pass-through)
Digital Formats	Dolby Digital®, Dolby Digital EX, Dolby Digital Plus, Dolby TrueHD, Dolby Atmos, DTS®, DTS-ES, DTS 96/24, DTS-HD High Res, DTS-HD Master Audio, DTS:X, LPCM up to 8 channels.
Analog Formats	Stereo 2-channel
Analog-To-Digital Conversion	24-bit 48 kHz
Digital-To-Analog Conversion	24-bit 48 kHz
Analog Output Volume Adjustment	-80 to +20 dB

Communication & Control of External Devices	
HDMI	HDCP 2.2, 2.3 EDID
Connectors	
LAN	8-pin RJ-45 connector, female; 100BASE-TX / 1000BASE-T Ethernet port / PD port POE (IEEE 802.3af)
HDMI INPUT	(1) HDMI Type A connector, female; HDMI digital video/audio input
Power	
Power Consumption	12 W max
Environmental	
Cooling	Convection / no fan (no moving parts)
Temperature	32° to 104° F (0° to 40° C)
Humidity	10% to 90% RH (non-condensing)
Heat Dissipation	25 BTU/hr
Acoustic Noise	0 dBA
Form Factor	
Dimensions	Height: 4.07 in. (103.4 mm) Width: 3.61 in. (91.8 mm) Depth: 2 in. (50.6 mm)
Weight	1.0 lb (0.45 kg)
Compliance	
	CE, FCC, C-tick, RoHS, WEEE

E5-WP-H • Wallplate Encoder w/HDMI Only

Dimensions • (in mm)

