

MKC120

2-Way Coaxial Loudspeaker

- ▶ High output, compact coaxial loudspeaker
- ▶ Patented CSA coaxial horn provides superior control, fidelity and output
- ▶ Integrated M10 mouting, handle and pole mount
- ▶ Weather protection and transformer options
- ▶ Companion UX4403 amplifiers

OVERVIEW

The MKC series represents a major evolution of coaxial loudspeakers. Available as standard in black or white, the MKC series offers a full-suite of driver sizes allowing the series to span a powerful index of installation applications and configurations. The enclosures can be deployed in either horizontal or vertical orientations through the use of an pan & tilt wall bracket or a U-Bracket. Other deployment options include a pole stand mount with two available tilt positions. Equipped with a CSA aperture, MKC80 takes single speaker pattern control to new levels. The technology delivers consistent tonality throughout the entire coverage, area even at high SPL levels.



TECHNOLOGIES



Beamwidth Matched Crossovers Introduced over a decade ago for our MK series loudspeakers, EAW Engineers use carefully-designed HF horns and crossovers to eliminate polar irregularities through the crossover point.



Focusing™ Use of advanced digital signal processing to perfect the impulse response of a loudspeaker in the time domain. Eliminating horn "honk" and splashiness, this makes the loudspeaker sound like a studio monitor instead of a "PA" speaker.



DynO™ Dynamic Optimization actively tracks input spectrum and power delivery, continually wicking maximizing output and fidelity at any drive level.



Symmetry of Sources™ Symmetrical arrangement of acoustic sources along a common axis for utmost consistency throughout the coverage pattern.



Concentric Summation Array (CSA)™ A method of seamlessly integrating MF and HF components within a single horn. With CSA, multiple subsystems sum coherently, without interruption to either HF or MF wavefronts.

TECHNICAL SPECIFICATIONS

2-WAY COAXIAL LOUDSPEAKER

PERFORMANCE	
Max SPL ¹ (12 dB Crest Factor)	135dB
Max SPL ¹ (6 dB Crest Factor)	129dB
Operating Range ²	48Hz-20kHz
Nominal Beamwidth ³	90 x 60 degrees, rotatable
Axial Sensitivity	95dB, 48-20kHz
Calculated Axial Output	123dB Average
Nominal Phase	±15° from ideal high-pass filter
Input Impedance	8 ohms nominal, 7.4 ohms @ 270Hz minimum
Recommended HPF	45Hz, 12dB/oct
ACCELERATED LIFE TEST ⁴	
LF/HF	600W @ 8ohms
CONFIGURATION	
LF Transducer, Loading	1x12" cone, 2.5" VC, Vented
HF Transducer, Loading	1x1-in exit, 44mm voice coil compression driver, Concentric Summation Array (CSA) loaded
Operating Modes	LF/HF, DSP w/ EAW Focusing & DynO
PHYSICAL	
Physical Rigging	11x M10 Suspension Points, 4x M6 Mounting pattern for wall mount bracket
Dimensions (HxWxD)	22.4 x 14.5 x 13.4in (569 x 367 x 341mm)
Net Weight	37 lbs (16.8kg)
Shipping Weight	Approx. 42 lbs (19.1kg)
Mounting Accessories	U-Bracket Metal wall mount Pan/Tilt bracket
Input Connector	2x Nuetrik NL4, 2-pin barrier strip

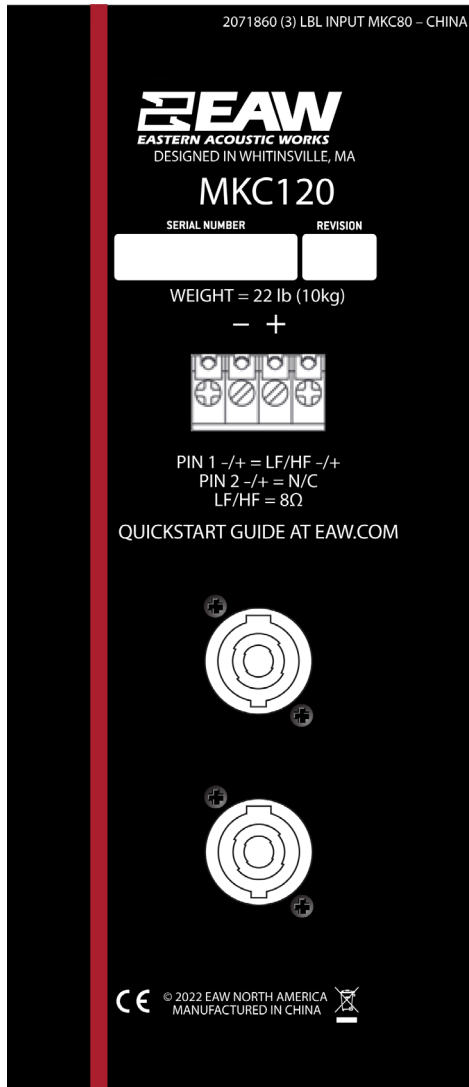
1 Calculated max SPL at 1m with 4:1 pink noise. Specified as whole space (free field) for full range loudspeakers, half space for subwoofers.

2 Operating Range: Range where the processed Frequency Response stays within -10 dB SPL of the power averaged SPL within this range; measured on the geometric axis. Narrow band dips are excepted.

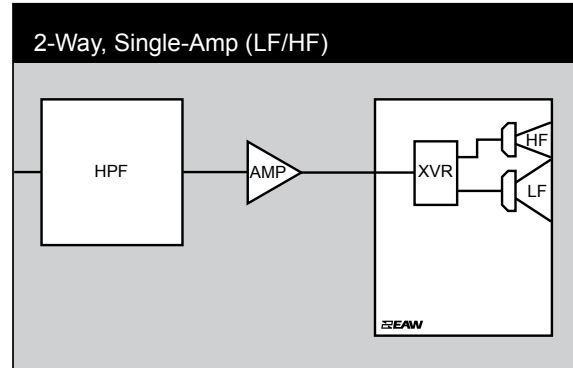
3 Nominal Beamwidth: Design angle for the -6 dB SPL points, referenced to 0 dB SPL as the highest level.

4 Accelerated Life Test: Maximum test input voltage applied with an EIA-426B defined spectrum; measured with recommended signal processing and Recommended Protection Filter.

INPUT



SIGNAL



LEGEND

- LF/MF/HF:** Low Frequency / Mid Frequency / High Frequency.
- AMP:** User Supplied Power Amplifier –or– Integral Amplifier for NT products.
- XVR:** Passive LPFs, HPFs, and EQ integral to the loudspeaker.
- EAW Focusing:** Digital Signal Processor capable of implementing EAW Focusing.

RECOMMENDED AMPLIFIER CONFIGURATION

SINGLE-AMP



MODEL	PER CHANNEL	PER AMPLIFIER
UXA4403	1	4

EAW strongly recommends utilizing the processing setting to take full advantage of your speakers. Pair with EAW UX4 Amps for the best performance of EAW Core Technologies

RIGGING CONFIGURATION

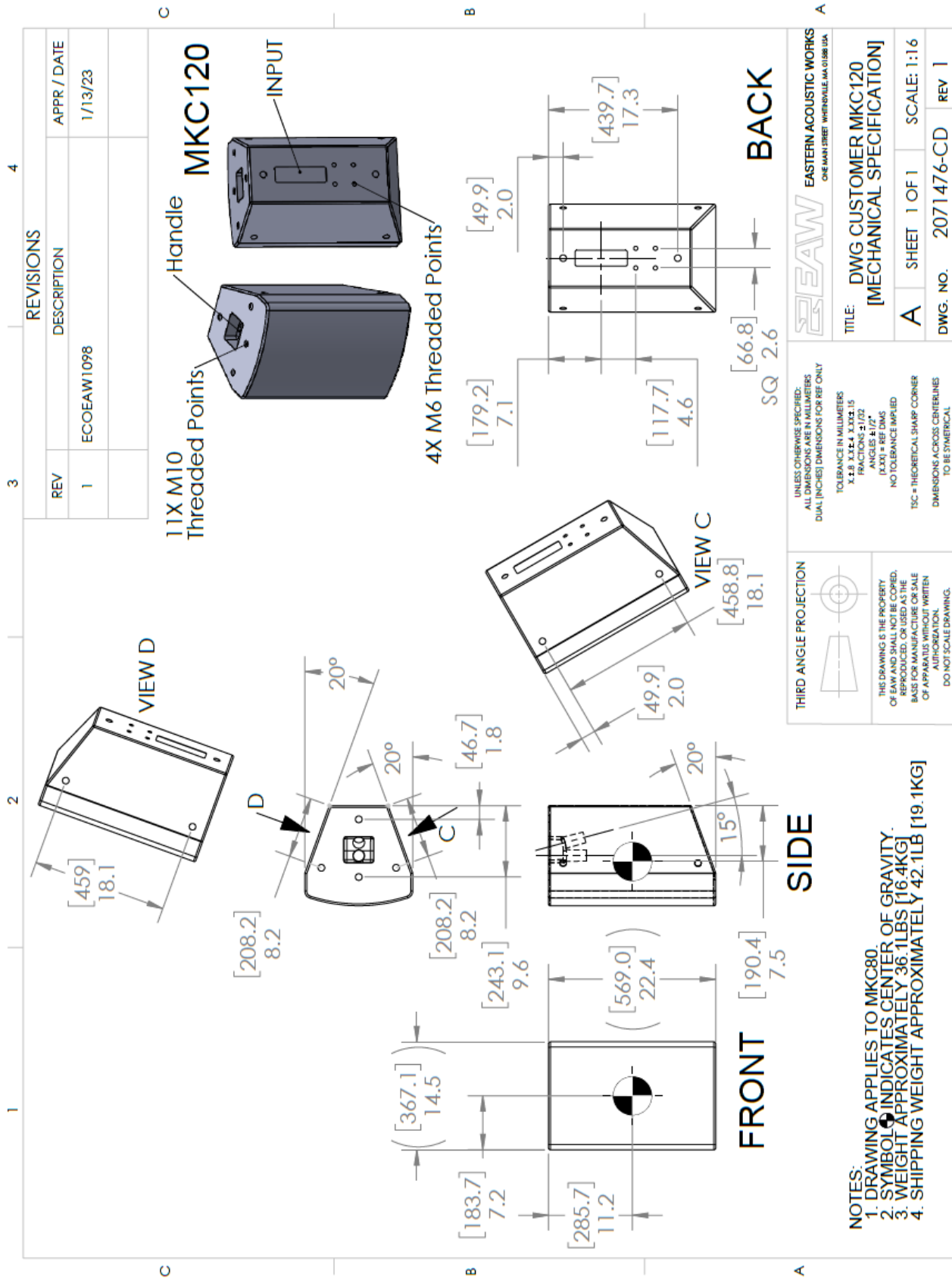


MOUNTING HARDWARE

EAW

DESCRIPTION	PART NUMBER
U-Bracket (BLK)	2071653
U-Bracket (WHT)	2071720
Pivoting Wall Mount Bracket	2071833





REVISIONS		APPR / DATE
REV	DESCRIPTION	
1	EEOEAW1098	1/13/23

EA EASTERN ACOUSTIC WORKS
ONE MAIN STREET WETHERSVILLE, MA 01888 USA

EA EASTERN ACOUSTIC WORKS

TITLE: DWG CUSTOMER MKC120
[MECHANICAL SPECIFICATION]

A SHEET 1 OF 1 SCALE: 1:16

DWG. NO. 2071476-CD **REV** 1

UNLESS OTHERWISE SPECIFIED:
ALL DIMENSIONS ARE IN MILLIMETERS
DUAL (INCHES) DIMENSIONS FOR REF ONLY

TOLERANCE IN MILLIMETERS
X.25 X.XX.X X.XX2.15
FRACTIONS: 5/32
DECIMALS: 0.1MM
NO TOLERANCE IMPLIED

TSC = THEORETICAL SHARP CORNER
DIMENSIONS ACROSS CENTERLINES
TO BE SPHERICAL

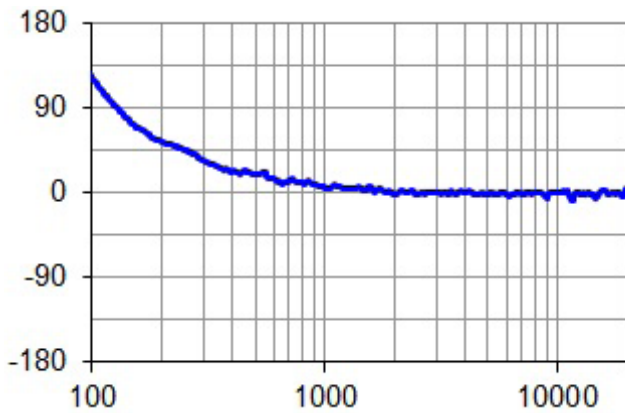
THIRD ANGLE PROJECTION

THIS DRAWING IS THE PROPERTY
OF EAW AND SHALL NOT BE COPIED,
REPRODUCED, OR USED AS THE
BASIS FOR MANUFACTURE OR SALE
OF APPARATUS WITHOUT WRITTEN
AUTHORIZATION.
DO NOT SCALE DRAWING.

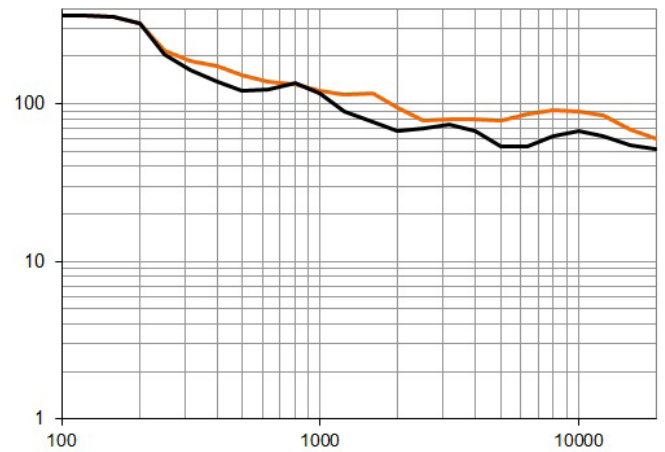
NOTES:
1. DRAWING APPLIES TO MKC80.
2. SYMBOL INDICATES CENTER OF GRAVITY.
3. WEIGHT APPROXIMATELY 36.1LBS [16.4KG]
4. SHIPPING WEIGHT APPROXIMATELY 42.1LB [19.1KG]

PERFORMANCE GRAPHS

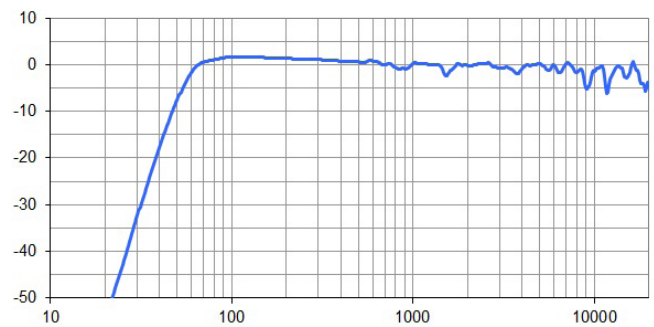
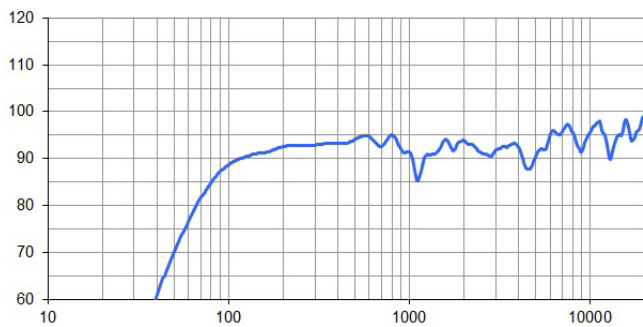
PHASE LINEARITY



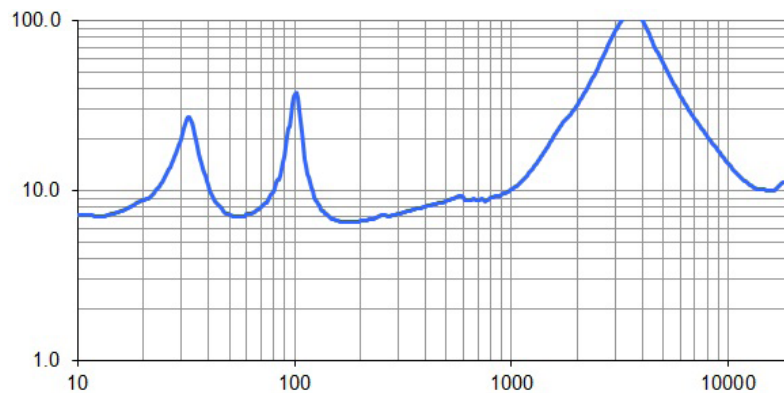
BEAMWIDTH¹ ■=Horizontal ■=Vertical



FREQUENCY² ■=Overall Response



IMPEDANCE



1 Average angle for each 1/3 octave frequency band where, starting from the rear of the loudspeaker, the output first reaches -6 dB SPL referenced to 0 dB SPL as the highest level. This method means the output may drop below -6 dB SPL within the beamwidth angle.

2 Variation in acoustic output level with frequency for a constant input signal. Processed: normalized to 0 dB SPL. Unprocessed inputs: 2 V (4 ohm nominal impedance), 2.83 V (8ohm nominal impedance), or 4 V (16 ohm nominal impedance) referenced to a distance of 1 m.