

## E-WP • Wallplate Encoder

Powerful AV Encoding in a convenient, Wallplate form-factor

### Overview

Visionary’s PoE 4K UHD over IP cinema quality, ultra-low latency [~1 frame - visually lossless ], encoders and decoders bypass the constraints of traditional switch matrix distribution systems by continuing to harness the flexibility and scalability of converged IP networks.

With the growing demand for 4K UHD video, professional AV designers and IT directors – in an increasingly converged AV/IT environment – have been using Visionary’s products as an alternative to conventional distribution systems.

Visionary’s PacketAV® AV over IP products can be deployed on any industry standard IP network.



They can be used on existing enterprise IP networks or a physically separate parallel network [private network] to offload traffic, using the same network protocols, methods, and devices but without intermingling of video traffic with data or voice; with equal ease of installation.

### Features

#### Gigabit LAN Port for 4K UHD Video, Control, and Powered Device (PD)

- A single Ethernet port for AV over IP, KVM over IP, USB over IP and RS-232 over IP, and POE Power Input

#### Balanced Audio Line Output on Rear Panel

- A rear-panel euro terminal block provides a stereo balanced audio output de-embedded from HDMI.

This output can feed a variety of local devices to provide a specific line level output to users, or it may be used to directly feed an audio power amplifier in the associated audio zone.

#### Dynamically Optimized (Adaptive) bit-rate compression CODEC w/ built-in AI

- Visionary’s highly efficient video compression codec is a modified full frame encoding that dynamically optimizes for fine lines (computer generated graphics) or motion video by using sophisticated AI to analyze the input source content. Actively matching the level of compression to a scene by leveraging periods of low motion video content reduces the stream’s size and enhances performance - enabling, without compromising image quality, Visually Lossless transmission of computer generated graphics or full-motion video sources.
- Adjustable Video Bitrate: (50 – 200 Mbps or Auto [800Mbps max])

---

## E-WP • Wallplate Encoder

### Features cont.

---

#### LLDP Support

- Link Layer Discovery Protocol (LLDP) is a protocol used by network devices for advertising their identity, capabilities, and neighbors on a local area network based on IEEE 802 technology
- Allows for dynamic control of endpoints based on automatic discovery of physical location

#### QoS Support

- Quality of Service (QoS) is an advanced feature that prioritizes network traffic resulting in performance improvement for critical network traffic

#### Control

- Vision Lite Control Software
- 3rd Party Control Drivers [Crestron, QSC, Symetrix, RTI, etc.]
- \*API providing access to the full range of features on the encoders and decoders offered to qualified System Integrators

#### Seamless Fast Switching

- Tearing free, no black screen, no frame lock

#### Independent Routing

- Independently route all signals with the ability to separately matrix video & audio

#### Enterprise Level Security –AES Encryption, 802.1x, HTTPS, SSH

##### Enterprise applications demand a secure Network AV solution

- AES Stream Encryption - The Advanced Encryption Standard, or AES, is a worldwide standard and was adopted as the standard encryption algorithm by the U.S. government for encrypting classified information
- HTTPS Secure API - Using secure SSL/TLS communications HTTPS provides integrity that a client is communicating with the real API and receiving back authentic data. It also ensures privacy for applications and users using the API
- 802.1x Authentication for Network access control - 802.1X provides a secure authentication mechanism for any device trying to access a network
- SSH Network Protocol - SSH is a network protocol used to remotely access and manage a device through command line communications. The key difference between Telnet (used by other AV over IP manufacturers) and SSH is that SSH uses encryption, which means that all data transmitted over a network is secure

#### HDMI 2.0 and HDCP 2.2 Compliant

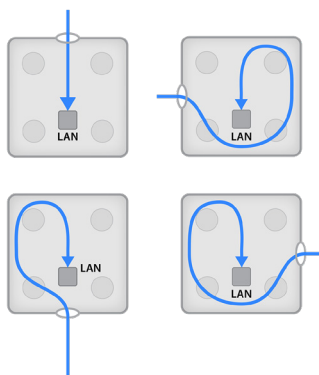
## E-WP • Wallplate Encoder

### Benefits

- A single Gigabit LAN Port for PoE Power, 4K UHD Video, and Control
- Secure Network Isolation - VLAN Tagging separates AV traffic on the corporate network
- Easy installation in a wall, floor, or lectern
- Mounts into standard Decora style wallplates
- Easy Control Integration
- Ultra-low Latency [ ~1 frame - visually lossless ]
- Low bitrates
- No fiber or 10 Gigabit switch required
- Low-Cost network switches are used
- Scalable / Unlimited Distribution
- Any number and combination of inputs/outputs [in increments of one]
- Standard network cabling [CAT5e/6]
- Utilize existing network resources
- Rapid deployment
- Single network for AV and IT
- Reduced operating costs

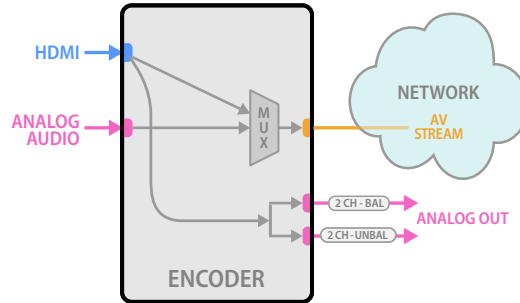
### Fits conveniently into a 2-gang US or UK back box with no modification

- Low Heat / Power: Natural convection via vent openings on front, sides, and top
- 45 Degree Ethernet connector allows easy access from any side of electrical boxes while providing bend radius relief for category cable.



## E-WP • Wallplate Encoder

### Audio Workflow



### Specifications

Encoding/Decoding	
Video Codec	JPEG2000 based visually lossless video compression algorithm
Audio Codec	LPCM up to 8 Channels
Bit Rates	50 to 800 Mbps
Latency	Ultra-low Latency (visually lossless video) 17ms @ 1080p60 & 4K60 4:2:0 33ms @ 4K30 4:4:4
Streaming Protocols	IP, UDP, TCP, ICMP, IGMP
Copy Protection	HDCP 2.2, AES-128 Encryption
Video	
Maximum Resolutions	High Dynamic Range (HDR) 4K60 4:2:0 HDR 8 bit 4K30 4:4:4 HDR 8 bit 1080p60 4:4:4 HDR 12 bit 1080p30 4:4:4 HDR 12 bit
Input Signal Types (Encoder)	1x HDMI capable of receiving source input video formats up to 4K60 4:2:0
Audio	
Input Signal Types	HDMI Audio, Stereo Analog • 1 digital input de-embedded from HDMI • 1 analog stereo input, unbalanced
Output Signal Types	HDMI Digital Audio (NLPCM pass-through), Analog Stereo Audio, Dante®/AES67 Network Audio • 1 analog stereo audio output (balanced)
Digital Formats	Dolby Digital®, Dolby Digital EX, Dolby Digital Plus, Dolby TrueHD, Dolby Atmos, DTS®, DTS-ES, DTS 96/24, DTS-HD High Res, DTS-HD Master Audio, DTS:X, LPCM up to 8 channels.
Analog Formats	Stereo 2-channel
Analog-To-Digital Conversion	24-bit 48 kHz
Digital-To-Analog Conversion	24-bit 48 kHz
Analog Output Volume Adjustment	-80 to +20 dB

Communication & Control of External Devices	
HDMI	HDCP 2.2, EDID
Connectors	
LAN	8-pin RJ-45 connector, female; 100BASE-TX / 1000BASE-T Ethernet port / PD port POE (IEEE 802.3af)
HDMI INPUT	(1) HDMI Type A connector, female; HDMI digital video/audio input
3.5mm Barrel	Analog Stereo Output (balanced)
3.5mm Barrel	Analog Stereo Output (unbalanced)
3.5mm Barrel	IR over IP Input
3.5mm Barrel	IR over IP Output
3.5mm Barrel	RS232 over IP
Power	
Power Consumption	12 W max
Environmental	
Cooling	Convection / no fan (no moving parts)
Temperature	32° to 104° F (0° to 40° C)
Humidity	10% to 90% RH (non-condensing)
Heat Dissipation	25 BTU/hr
Acoustic Noise	0 dBA
Form Factor	
Dimensions	Height: 4.07 in. (103.4 mm) Width: 3.61 in. (91.8 mm) Depth: 2 in. (50.6 mm)
Weight	1.0 lb (0.45 kg)
Compliance	
	CE, FCC, C-tick, RoHS, WEEE

## E-WP • Wallplate Encoder

### Dimensions • (in mm)

