



# CIS300

## Two-Way Ceiling Monitor

### CIS300 — TWO-WAY CEILING MONITOR

The CIS300 is a compact two-way flush-mount loudspeaker assembly designed for fixed installations into typical ceiling plenum spaces. Employing a modified HF waveguide originally developed for use in studio monitors, the CIS300 delivers superior dispersion and pattern control over conventional coaxial designs. The waveguide integrates the HF driver with a 4" LF driver optimized for smooth frequency response and seamless transition through the crossover point. The result is acoustic performance not generally associated with a commercial ceiling speaker of this size or in this price range.

The CIS300 is supplied fully assembled, complete with a sealed zinc-coated steel backcan and cam-style installation clamps. The metal enclosure includes a recessed Euroblock input connector with detachable mating plug, concealed behind a hinged metal cover plate. A welded tab is provided for seismic restraint. Two steel T-Bar support channels are provided to facilitate installation to a standard split tile ceiling. Also supplied is a steel split C-ring, which serves to disperse the clamping pressure of the mounting cams.

The CIS300 is supplied with an integral 70/100V line transformer rated to a maximum of 30 watts. Power is adjustable by means of a recessed rotary switch on

the front bezel, and allows selection of 30, 15, 7.5, and 3.7 watt taps. A second recessed rotary switch is provided to engage a 16-ohm tap for use with low-impedance amplifiers, or a 150 Hz high-pass filter.

The speaker assembly is shipped with a detachable paper cover fitted over the transducers inside the bezel. This protective cover protects the drivers from damage during installation and also serves as a paint cover, allowing convenient spray painting to match interior décor. A powder-coated perforated steel grille is supplied, and easily installed once the desired Tap Selector and Full-Range/High-Pass switches have been set.

The entire assembly is fully tested at the time of manufacture and is warranted to be free from defects in materials and workmanship for a period of five years from the date of purchase. The speaker is designed for use in ceiling plenum spaces and meets UL 1480 and UL 2043 regulations governing signaling devices and plenum applications.



### FEATURES

- .. High-efficiency 4" polypropylene woofer
- .. 140° x 124° constant directivity horn with 1" cloth dome tweeter
- .. Built-in LICC low-inductance passive crossover with high frequency dynamic protection
- .. Lightweight, UV/weather resistant, high density polystyrene, flush-mounting enclosure for multiple applications and minimum visual intrusion
- .. Integrated mounting system and hardware included
- .. UL/cUL/CE listed

### APPLICATIONS

- .. Meeting Rooms
- .. Hotels
- .. Houses of Worship
- .. Boardrooms
- .. Courtrooms
- .. Multizone Paging/Music Systems
- .. Multi-Purpose Facilities



# CIS300

## Two-Way Ceiling Monitor

### SPECIFICATIONS

#### SYSTEM

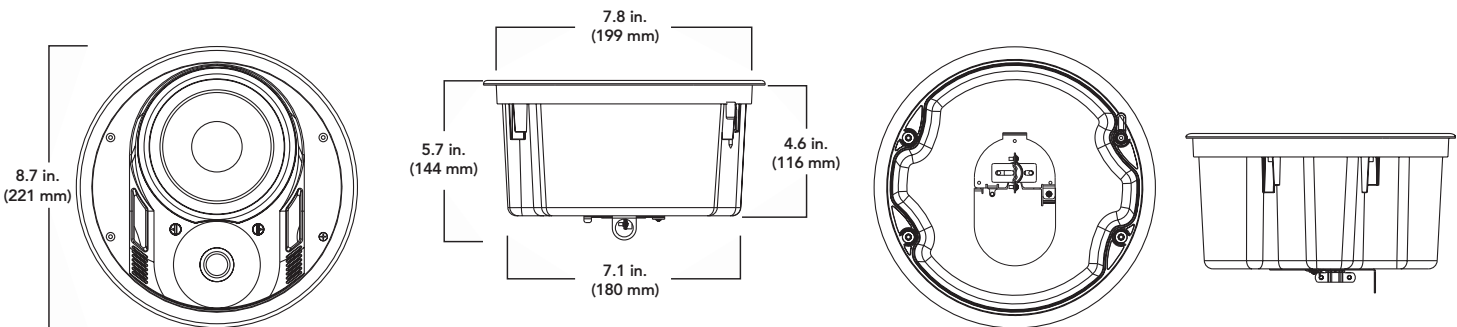
Freq. Range (-10 dB):	90 Hz–22 kHz
Freq. Response (-3 dB):	110 Hz–20 kHz
Horizontal Coverage Angle (-6 dB):	140° averaged 1 kHz to 6 kHz
Vertical Coverage Angle (-6 dB):	124° averaged 1 kHz to 6 kHz
System Sensitivity:	90 dB, 1W @ 1m
Rated Maximum SPL:	102 dB @ 1m
System Input Power Rating:	30W long term
Transformer Taps	
70V:	3.7W, 7.5W, 15W, 30W,
100V:	7.5W, 15W, 30W
Control Features	
Front-mounted Rotary Switch:	Full Range (70/100 Volt Systems) High Pass @ 150 Hz (70/100 Volt Systems) 16Ω (low-impedance operation) Secondary Tap Positions
Front-mounted Rotary Switch:	Secondary Tap Positions

#### TRANSDUCERS

Low-Frequency:	4 in/102 mm polypropylene woofer
High-Frequency:	1 in/25 mm dome tweeter

#### PHYSICAL

Enclosure:	2-way, front loaded
Bezel Material:	UL94V-0 rated material
Rear Enclosure Material:	Steel
Grille:	Perforated metal with weather-resistant coating
Safety Features:	Rear safety loop located at rear of enclosure for attachment of load bearing safety strap
Safety Agency Ratings	
UL1480:	General Signaling Fire Standard
UL2043:	Fire Tests for Heat and Visible Smoke Release for Discrete Products and Their Accessories in Air-handling Spaces
Input/Output Connectors:	Removable locking connector with screw-down terminals. Two input terminals and two loop-thru output terminals.
Dimensions (Diameter x Height):	8.7 in/221 mm x 5.7 in/144 mm
Front of Ceiling Tile to Back of Can:	4.6 in/116 mm
Cutout Size:	7.8 in/199 mm
Net Weight:	6.2 lb/2.8 kg
Included Accessories:	Grille, Support Rails, C-Ring, Removable Locking Connector, Cut-out Template, Paint Shield



LOUD Technologies Inc. continually engages in research related to product improvement. New material, production methods, and design refinements are introduced into existing products without notice as a routine expression of that philosophy. For this reason, any current EAW Commercial and LOUD Technologies product may differ in some respect from its published description, but will always equal or exceed the original design specifications unless otherwise stated. ©1999–2004 LOUD Technologies Inc. All rights reserved. EAW Commercial is a trademark of LOUD Technologies Inc.

Part No. 0009731 Rev B 07/04