



SPECIFICATIONS MK8196

FEATURES

- System includes an 8-in woofer and a 1-in exit/1.5-in voice coil compression driver on a 90° x 60° CD horn
- Internal passive crossover/filter network allows powering by a single amp channel while smoothing power response
- Beamwidth optimized crossover points eliminate off-axis voids through crossover
- User-rotatable horn lets you "rotate the enclosure around the horn" to mount them vertically or horizontally

DESCRIPTION

The MK8196 two-way loudspeaker system sets the new standard in installation performance by solving the chronic problems of compact two-way loudspeakers. Yet it's size is actually smaller than many of the compact two-ways it outperforms. The HF horn loading the 1-in exit/38mm voice coil compression driver is larger than most traditional compact two-way horns. This extends pattern control lower into the midrange than would otherwise be possible and allows the horn's pattern to overlap the woofer's pattern in the critical crossover area.

Advanced beamwidth matching crossover point selection transitions between the subsystems exactly where the HF horn's 90° (h) x 60° (v) coverage pattern matches the woofer's pattern. This eliminates the beamwidth mismatch that creates off-axis voids in the crossover area of traditional two-way systems. The internal passive crossover/filter network uses complex, asymmetrical slopes to integrate the subsystems and goes beyond merely dividing the signal to perform critical equalization functions.

APPLICATION

The MK8196 provides a high performance solution to applications requiring the use of an ultra-compact two-way loudspeaker system. Ideally suited to distributed approaches, these small, powerful systems mount easily in a variety of locations and provide consistent coverage over the entire frequency range.

MK Series HF horns feature a square flange allowing the user to rotate them 90°. This way, the systems can be mounted horizontally while maintaining the desired coverage pattern. And the comprehensive system of 3/8"-16 threaded mounting/suspension points permit the enclosures in any orientation.

PERFORMANCE

Frequency Response (1 Watt @ 1m)

+3 dB	89 Hz - 18 kHz
-10 dB	60 Hz

Axial Sensitivity (dB SPL, 1 Watt @ 1m)

Full Range	95
------------	----

Impedance (Ohms)

Full Range	8
------------	---



PERFORMANCE continued

Power Handling, AES Standard (Watts)

Full Range	300
------------	-----

Calculated Maximum Output (dB SPL)

Full Range Peak	125.8
Full Range Long Term	119.8

PHYSICAL

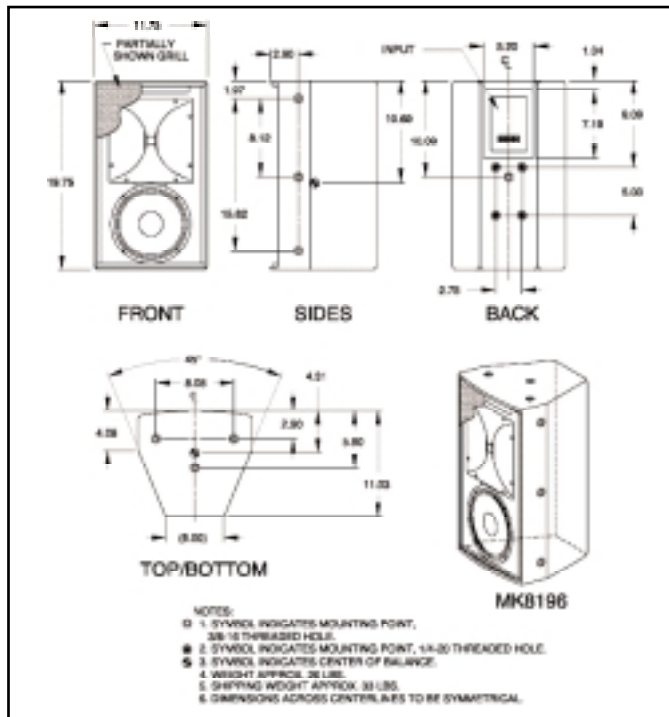
Configuration	2-way, full range	
Powering	Passive (LF/HF crossover)	
LF Subsystem	1x 8-in, vented	
HF Subsystem	1x 1-in exit/1.5-in voice coil compression driver on CD horn	
Coverage Angles (h° x v°)	90 x 60	
Cabinet Type (shape)	Trapezoidal	
Enclosure Materials	Baltic birch plywood	
Finish	Black polyurethane	
Connectors	2-terminal barrier strip	
Suspension Hardware	(13) 3/8"-16 threaded mounting/suspension points (3 each top and bottom; 3 each side; 1 rear); mounting points for Omnimount 100 Series on Rear	
Grille	Powder Coated Perforated Steel	
Options	FC300B Forged Shoulder Eyebolt	
Dimensions	inches	millimeters
	Height	19.75 502
	Width (Front)	11.75 298
	Width (Rear)	6.00 152
	Depth (Max)	11.03 280
	Trapezoid Angle	22.5 degrees per side
Weights	pounds	kilograms
	Net Weight	31 14.1
	Shipping Weight	34 15.5





SPECIFICATIONS MK8196

DIMENSIONAL DRAWING



A & E SPECIFICATIONS

The two-way full range loudspeaker systems shall incorporate an 8-in LF transducers and a 1-in exit/1.5-in voice coil compression driver HF transducer.

The LF drivers shall be mounted in an optimally vented enclosure tuned for maximum low frequency response. The HF driver shall be loaded on a constant directivity horn with a nominal coverage pattern of 90° (h) x 60° (v). The HF horn shall feature a square flange allowing it to be rotated 90°. An internal passive filter network shall provide fourth order acoustical crossover and system equalization between the low and high frequency sections.

System frequency response shall vary no more than ± 3 dB from 89 Hz to 18 kHz measured on axis. The system shall produce a Sound Pressure Level (SPL) of 95 dB SPL on axis at 1 meter with a power input of 1 Watt, and shall be capable of producing a peak output of 125.8 dB SPL on axis at 1 meter. The system shall handle 300 Watts of amplifier power (AES Standard) and shall have a nominal impedance of 8 Ohms.

The loudspeaker enclosure shall be trapezoidal in shape. It shall be constructed of 1/2-in thickness void-free cross-grain-laminated Baltic birch plywood and shall employ extensive internal bracing. It shall be finished in black catalyzed polyurethane. Input connectors shall be two-terminal barrier strip. A total of 13x 3/8"-16 threaded mounting/suspension points (3 each top and bottom, 3 per side and 1 back) shall be provided. Four additional mounting points shall be provided on the rear configured to accept an Omnimount brand Series 100 bracket. The front of the loudspeaker shall be covered with a powder coated perforated steel grille.

The 2-way full range loudspeaker shall be the EAW model MK8196.

