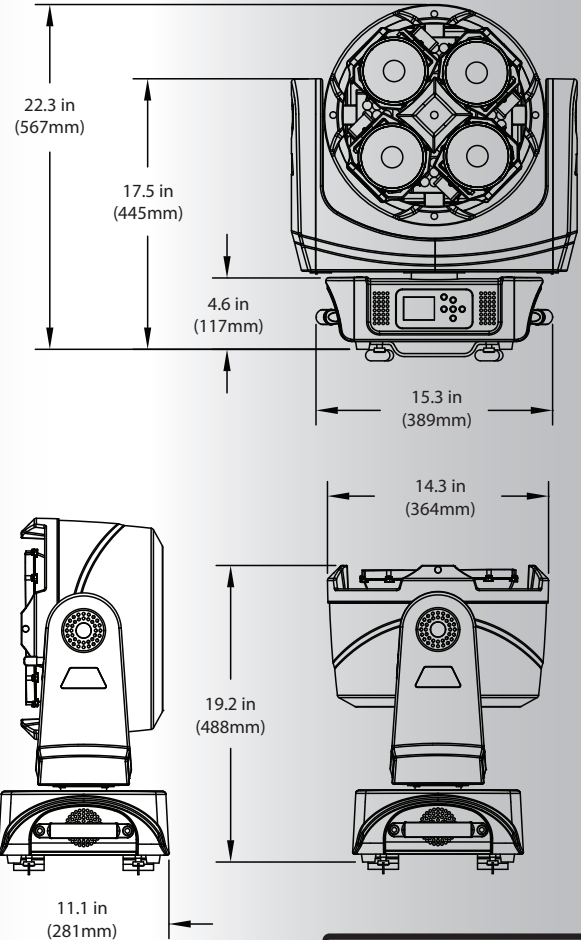




Features

- Fast Service Design
- Electronic Cooling System Control
- Active Thermal Control
- Lens- High Efficiency TIR (4X)
- Lens Diameter- 106mm
- LED Type- 65W RGBW (4x)
- LED Hours- 70% Luminous output, 50,000 hrs.
- X & Y Module Control (4X)
 - X= -15 / +15 degrees Y= -20 / +20 degrees
- Pan- 540 °
- Tilt- 265 °
- Indigo Backlighter- 28 1W LED's
- RDM Compatible
- Control Options- DMX 512/RDM
- DMX Channels- 52
- Macros- 100, RGB CMY Invert
- 5-Pin DMX/RDM Connector
- PowerCON TRUE1 Connectors
- Full Color LCD Display W/ Battery Mode
- Compliance Approvals- CE, ETL

HES PN- H7010019



- Pan and Tilt Locks
- Road Case Included (Single)
- Fixture Weight- 22 Kg (48 Lbs.)
- Road Case Gross / Shipping Weight- 60 Kg (133 Lbs.)
- Road Case Dimensions- (L x W x H)-
 - 610 mm (24 in.) x 584 mm (23 in.) x 965 mm (38 in.)
- Minimum Distance to Flammable Objects- 2m (6.56 ft)
- Minimum Distance to Lighted Objects- 2m (6.56 ft)

Photometrics

RGBW Lumens-	8000
Center Lux @ 7m-	22000
Color Temperature-	6500K

Electrical

Input Power- AC 100V - 240V 50/60 Hz	5.5 -2.2 Amps
Auto Switching Power Supply	
Db(A)- 45	

Mounting Options- The fixture can be truss mounted using 1/4 camlock C-clamp mounting brackets. It can also stand upright on a stable surface.

