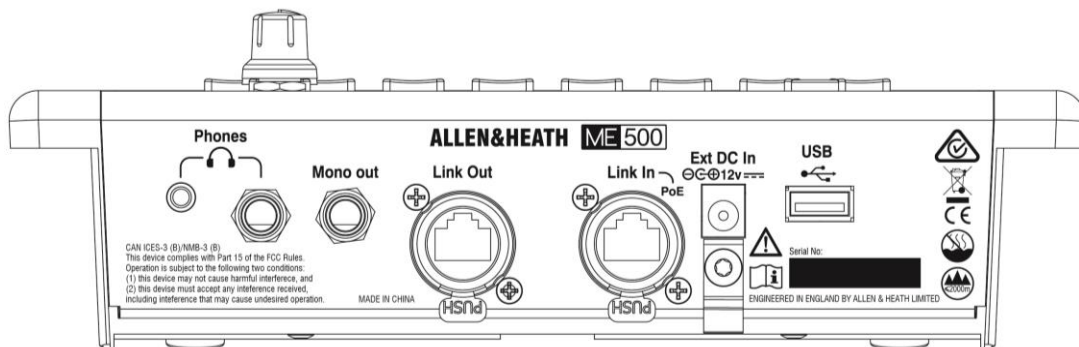
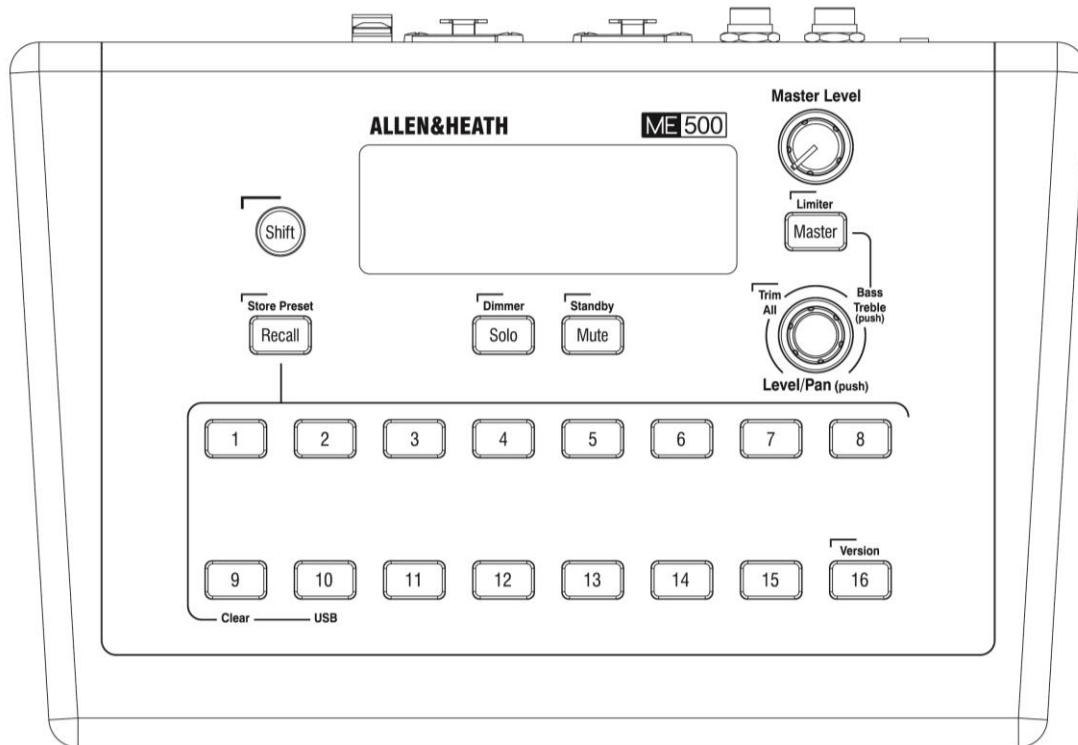


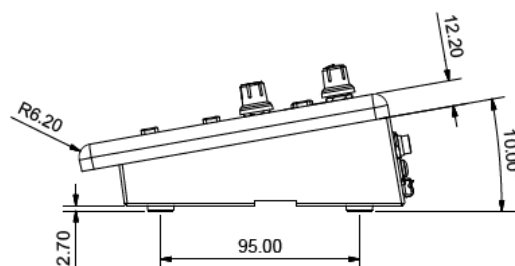
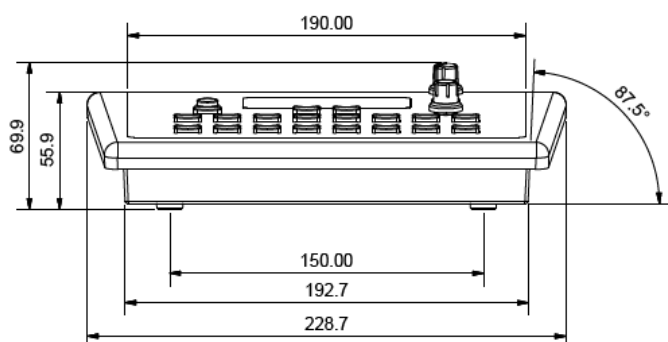
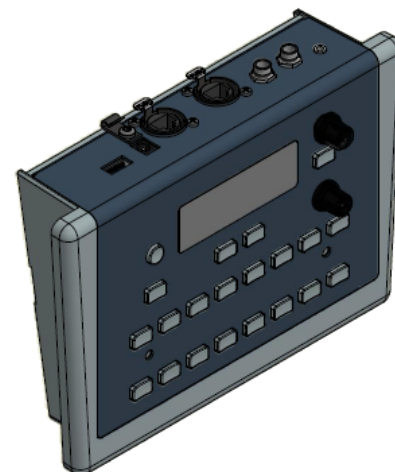
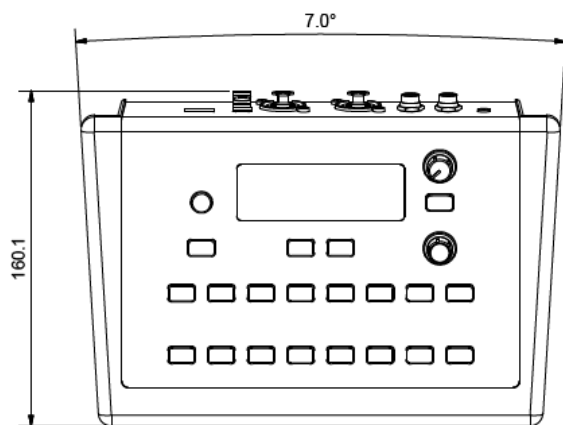
## ME-500 Technical Datasheet

### Overview

- Up to 16 Mono/Stereo Channels
- 2-Band EQ
- 8 User Presets
- Auto Key Assignment
- 3.5mm and 1/4" Headphone Sockets
- Powered via POE or External PSU
- Direct Connection to dLive, GLD & Qu systems
- MADi, Dante and EtherSound connections via ME-U Hub
- Aviom® A-Net 16 compatible



## Dimensions



## A&E Specifications

The device shall be a stand-alone digital personal mixer receiving up to 16 mono or stereo sources over a single Cat5 cable and be compatible with existing ME personal mixing devices.

The device shall be connected using standard Cat5 cabling via a pair of locking EtherCON RJ45 connectors located on the rear panel.

The device shall incorporate a hidden-until-lit display on the top panel indicating level, pan, EQ and limiter parameters.

The device shall be suitable for freestanding or microphone stand mounted operation. The device shall be mountable on a microphone stand via an integrated 3/8" threaded insert or an optional bracket.

The device shall have a multi-function rotary encoder, volume potentiometer and 21 rubber keys accessible on the top panel.

The device shall feature an internal discrete headphone amplifier with stereo outputs via a 3.5mm mini-jack socket and 1/4" TRS jack socket on the rear panel.

The device shall provide a 1/4" TRS mono jack on the rear panel for connection to external amplification and loudspeaker systems.

The device shall incorporate a USB Type A socket on the rear panel for the transferral of user data and firmware updates.

The device shall have a built-in power supply accepting 12V DC via the supplied external power supply. The unit shall also be PoE/PoE+ (IEEE 802.3af-2003 and 802.3at) compliant and can be powered via the network port from a ME-U, external switch or PoE injector. Recommended operating temperature for the unit shall be 5 to 35 degrees Celsius.

The device shall be the Allen & Heath ME-500.

## Technical Specifications

### System

Frequency Response	10Hz to 20kHz (+0/-1dB)
AD/DA Conversion	24-bit Delta/Sigma, 48kHz
Residual Output Noise	-95dBu
PoE Requirements	802.3af (15.4W at source) or 802.at (25.5W at source)
Headphone Out	300mW + 300mW into 100Ω load Max: +21dBu
External PSU	IN: 100-240V AC , 50/60Hz / OUT: 12V DC , 1.25A
PoE Requirement	10W (requires 15W from PoE hub)

### Dimensions and Weights

	Width x Depth x Height x Weight
ME-500	230 x 160 x 70 mm (9" x 6.3" x 2.7") x 1.1kg (2.4lbs)

#### Boxed

ME-500	290 x 350 x 170 mm (11.4" x 13.8" x 6.7") x 2.5kg (5.5lbs)
--------	--